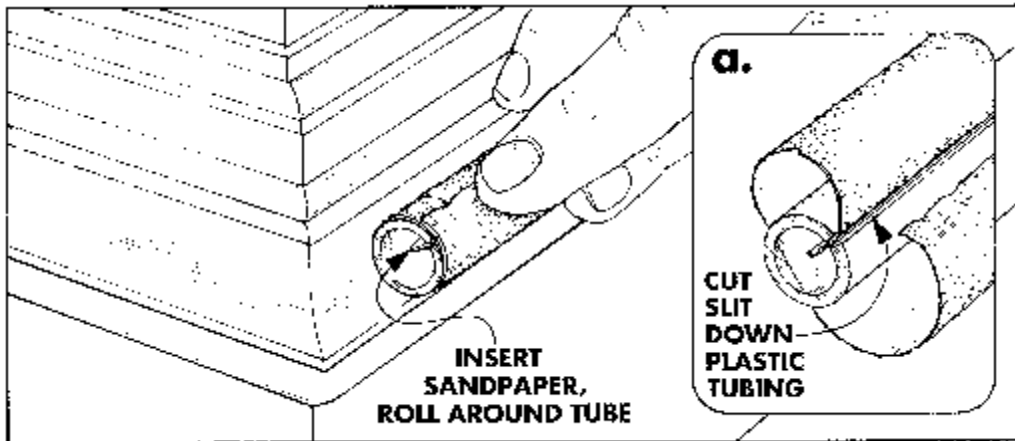


Cove Sanding Tip



© 1996, August Home Publishing Co.

To sand coves, I wrap sandpaper around small lengths of clear flexible plastic tubing. Most hardware stores carry this type of tubing. Choose a diameter smaller than the radius of the cove.

Slice the tube down its length and slip one edge of the sandpaper into the slit. Then wrap the sandpaper around the tube and hold it tightly.